

MicroDome® G2 IP Megapixel Cameras

H.264 All-in-One Ultra Low Profile Remote Focus True Day/Night Indoor/Outdoor Dome IP Cameras with WDR (Wide Dynamic Range) Models



The MicroDome® G2 multi-megapixel camera series delivers 1.2-, 1080p, 3-, or 5-megapixel resolutions. These true day/night cameras are available with a choice of lenses 2.8mm, 4mm, 6mm, 8mm, 12mm, and 16mm options. With a day/night mechanical IR cut filter this camera is ideal for applications with challenging lighting conditions, regardless the time of day.

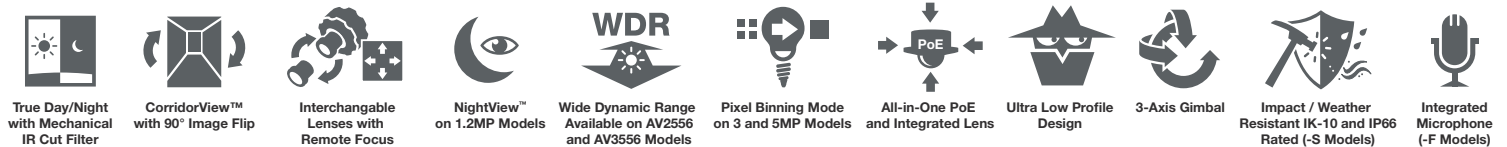
The MicroDome® G2 megapixel IP camera series is available in an indoor, in-ceiling housing or in a surface mount IP66 rated version for indoor and outdoor applications. Surface and flush mount models feature a vandal resistant, IK-10 rated cast-aluminum housing with a polycarbonate bubble making it capable of withstanding the equivalent of 55 kg (120 lbs) of force.

MicroDome® G2 megapixel IP cameras deliver professional surveillance, with ease of installation and set-up, for a variety of network surveillance requirements. The remote focus module allows users to simply click “Short-range Focus” or “Full-range Focus” saving installers time and end users money—an easy return on investment. The three-axis lens adjustment

provides users with more camera placement options, allowing the cameras to be easily mounted on a wall or ceiling so they can pan, tilt, and rotate the lens in a variety of directions for a precise field of view. An innovative spring arm design makes in-ceiling F-model installations a snap: simply slide the camera through the hole and secure the magnetized cover ring with a single screw. No additional hardware is required.

For challenging low-light applications, the 1.2MP model features NightView™, making it capable of covering areas where very little light is present. For applications with strong backlighting, reflections from wet flooring/puddles, or contrast due to fog, mist, or glare, optional wide dynamic range is available on some 1080p and 3MP models.

The MicroDome® G2 is ONVIF Profile S (Open Network Video Interface Forum) and PSIA (Physical Security Interoperability Alliance) compliant, providing interoperability between network video products regardless of manufacturer.



Series Features

- 1.2–5MP Models
- True Day/Night Functionality with Mechanical IR Cut Filter
- CorridorView™ Allows 90° Image Rotation for Better Coverage in Hallways and Corridors
- Dual Encoder H.264/MJPEG
- Privacy Mask, Motion Detection, Flexible Cropping, Bit Rate Control, Multi-Streaming and Forensic Zooming
- Multiple Lens Options Available (Sold Separately)
- Remote Focus Module
- Easily Adjustable 3-Axis Gimbal
- All-in-One H.264 Total Power Over Ethernet (PoE) Solution
- Ultra Low Profile Design / Small Size
- IK-10 Impact-Resistant Housing

Model Dependent Features

- Strong Low Light Performance via NightView™ for 1.2MP Cameras and Binning Mode for 3MP and 5MP Cameras
- True WDR up to 100dB at Full Resolution Available in 1080p and 3MP WDR Models
- Outdoor Rated IP66 (-S Models)
- Integrated Microphone (-F Models)
- Casino Mode™ Maintains 30fps or Higher Required by Gaming Industry Regulations (AV2555 Models)

Camera Imaging Specifications

Model	AV1555DN	AV2555DN	AV2556DN	AV3555DN	AV3556DN	AV5555DN	
Image Sensor (CMOS)	1.2MP	1080p	1080p	3MP	3MP	5MP	
Optical Format	1/3"	1/3"	1/3.2"	1/3"	1/3.2"	1/2.5"	
Pixel Pitch	3.75µm	2.2µm	2.2µm	2.2µm	2.2µm	2.2µm	
Minimum Illumination	Color (Day Mode)	0.03 Lux	0.2 Lux	0.2 Lux	0.2 Lux	0.3 Lux	
	Color Binning (Day Mode)	-	-	-	0.1 Lux	0.1 Lux	
	B/W (Night Mode)	0.003 Lux, IR sensitive	0.02 Lux, IR sensitive	0.02 Lux, IR sensitive	0.02 Lux, IR sensitive	0.02 Lux, IR sensitive	0.03 Lux, IR sensitive
Full FOV Resolution	1280 H x 960 V	1920 H x 1080 V	1920 H x 1080 V	2048 H x 1536 V	2048 H x 1536 V	2592 H x 1944 V	
1/4 Resolution	640 H x 480 V	960 H x 540 V	960 H x 540 V	1024 H x 768 V	1024 H x 768 V	1296 H x 972 V	
Dynamic Range	83.5dB	69.5dB	WDR up to 100dB	69.5dB	WDR up to 100dB	70.1dB	
Frame Rates	At Max Res.	37fps (1280 x 960)	30fps (1920 x 1080)	30fps (1920 x 1080)	21fps (2048 x 1536)	21fps (2048 x 1536)	14fps (2592 x 1944)
	Cropped	-	42fps (1280 x 1024)	41fps (1280 x 1024)	30fps (1920 x 1080) 41fps (1280 x 1024)	30fps (1920 x 1080) 41fps (1280 x 1024)	21fps (2048 x 1536) 29fps (1920 x 1080) 41fps (1280 x 1024)
	Binning Mode	-	-	-	46fps (1024 x 768) 64fps (960 x 540)	21fps (1024 x 768) 27fps (800 x 600) 31fps (960 x 540) 32fps (640 x 512)	34fps (1296 x 972) 46fps (1024 x 768) 64fps (960 x 540)
Lens*	2.8mm Integrated, 1/2.5", F/2.0, H-FOV = 95°	2.8mm Integrated, 1/2.5", F/2.0, H-FOV = 83°	2.8mm Integrated, 1/2.5", F/2.0, H-FOV = 83°	2.8mm Integrated, 1/2.5", F/2.0, H-FOV = 89°	2.8mm Integrated, 1/2.5", F/2.0, H-FOV = 89°	2.8mm Integrated, 1/2.5", F/2.0, H-FOV = 113°	

* 2.8mm standard lens

Programmability

Optics	M12 lens and remote focus module
Low Light Performance	NightView™ Mode 1.2MP models
	Pixel Binning Mode 3MP and 5MP models
Picture-in-Picture	Simultaneous delivery of full field-of-view and zoomed images
Programmable Shutter Speed	Controls motion blur, 1ms – 500ms
Motion Detection	Real-time, 1024 detection zones
Privacy Masking	Unlimited
Casino Mode™	Maintains 30fps or higher (AV2555 model)
Flexible Cropping	Resolution windowing down to 1x1 pixel for JPEG and 2x2 pixels for H.264
Backlight Compensation	Custom white balance
Flicker Control	50/60Hz selectable
Image Rotation	CorridorView™ (90°, 180° and 270° image rotation)
Wide Dynamic Range	Auto switch control adjustment between WDR and LDR modes (WDR models)
Noise Reduction	Low light noise filter control
Microphone	Integrated (-F models)
Efficiency	Bit rate and bandwidth limitation control
	Bandwidth and storage savings by running at 1/4 resolution
Sharpness	Selectable enhancement level
Miscellaneous	Programmable resolution, brightness, saturation, gamma, tint
	Electronic pan, tilt, zoom (PTZ)

Audio Electrical

Compression	G.711 PCM 8 kHz
Input	Microphone in (integrated on F-models)

Data Transmission

Compression Type	H.264 (MPEG-4, Part 10)/Motion JPEG
	21 levels of quality
Network Protocols	RTSP, RTP/UDP, RTP/TCP, HTTP, DHCP, TFTP, QoS, IPv4, IPv6
Network Interface	100Base-T Ethernet
Multi-Streaming	8 non-identical streams

Compliance

Industry Standard	ONVIF Profile S and PSIA Conformant
Listings	UL (CB)
FCC Compliance	47 CFR 15 Class A
Environmental	RoHS, REACH, WEEE
Markings	(CE) EN55022 Class A, EN55024, EN61000-3-2, EN61000-3-3, EN60950-1
Mechanical	IP66 (EN60529) (-S Model), IK-10
CoO	Made in the USA

Environmental

Operating temperature	-F Model	-5°C (23°F) to +50°C (122°F)
	-S Model	-40°C (-40°F) to +50°C (122°F)
Humidity	0% to 90% (non-condensing)	
Storage temperature	-20°C (-4°F) to +60°C (140°F)	

Electrical

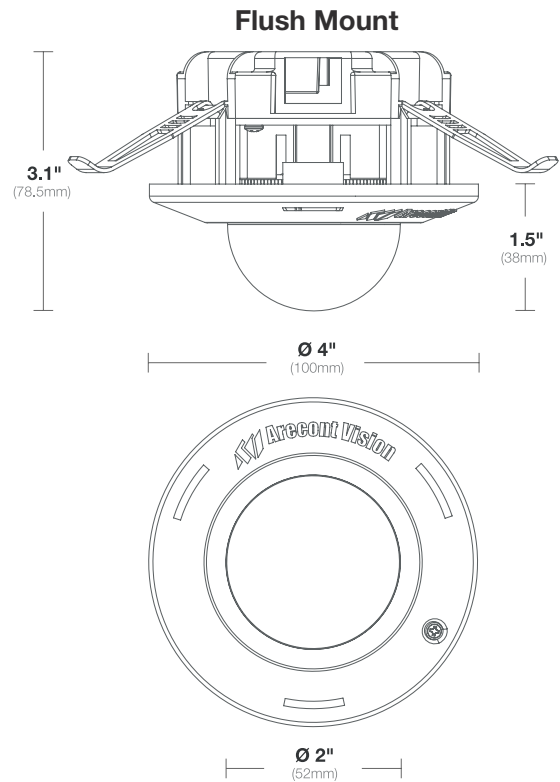
Alarm Input/Output	General purpose opto-coupled, 1 input/1 output
Power Over Ethernet	PoE 802.3af, Class 3
Power Consumption	5.59 Watts DC Power

See Next Page for Mechanical Specs

Mechanical

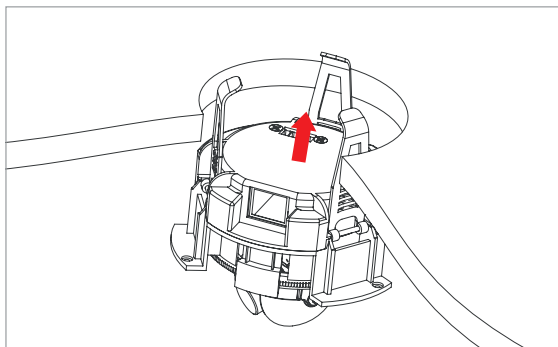
Casing	Tamper-resistant housing, IK-10 Impact-resistant	
	-F Model	In-ceiling mount with die-cast aluminum cover and 2" polycarbonate dome bubble
	-S Model	Surface mount with die-cast aluminum housing and 2" polycarbonate dome bubble
		IP66 weather proof standard 3/8" NPT w/ 1/2" NPT adapter included
Lens	2.8mm board mount (M12), fixed iris, F/2.0 (except -NL models)	
Gimbal	Easy 3-axis camera adjustment w/ 359° pan and 90° tilt and 360° z-axis	
Dimensions <i>(See Dimensions)</i>	Unit	Ø 4" (100mm) x 3.1" H (78.5mm)
	Packaged	5.6" W (142mm) x 5.6" L (142mm) x 3.5" H (90mm)
Weight	Unit	0.7lbs (0.3kg)
	Packaged	1.3lbs (0.6kg)

Dimensions

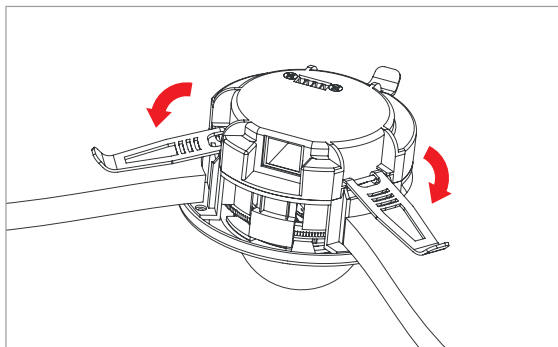


Quick Installation (Flush Mount Models)

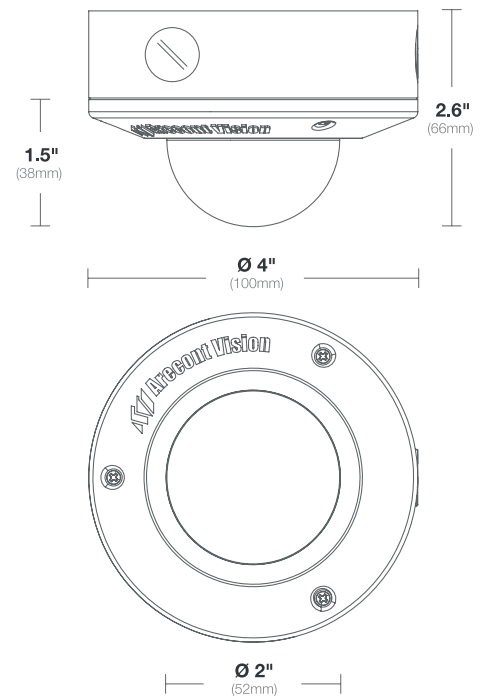
- 1 Push the three spring actuated retention arms in the upward position.



- 2 The retention arms lock into place.



Surface Mount



See Next Page for Ordering Information

Ordering Information



Model Specific Features

Model	Resolution	Frame Rate	Features		
AV1555DN	1.2MP	37fps	-	-	NightView™
AV2555DN	1080p	30fps	-	Casino Mode™	-
AV2556DN	1080p	30fps	WDR	-	-
AV3555DN	3MP	21fps	-	-	Binning
AV3556DN	3MP	21fps	WDR	-	Binning
AV5555DN	5MP	14fps	-	-	Binning

Options

-F	Flush Mount
-S	Surface Mount
-NL	No Lens

Configurations



Model Numbers

1.2MP	AV1555DN-F	NightView™	AV1555DN-F-NL	NightView™
	AV1555DN-S	NightView™	AV1555DN-S-NL	NightView™
1080p	AV2555DN-F		AV2555DN-F-NL	
	AV2555DN-S		AV2555DN-S-NL	
	AV2556DN-F	WDR	AV2556DN-F-NL	WDR
	AV2556DN-S	WDR	AV2556DN-S-NL	WDR
3MP	AV3555DN-F		AV3555DN-F-NL	
	AV3555DN-S		AV3555DN-S-NL	
	AV3556DN-F	WDR	AV3556DN-F-NL	WDR
	AV3556DN-S	WDR	AV3556DN-S-NL	WDR
5MP	AV5555DN-F		AV5555DN-F-NL	
	AV5555DN-S		AV5555DN-S-NL	

Lens Options (Sold Separately)

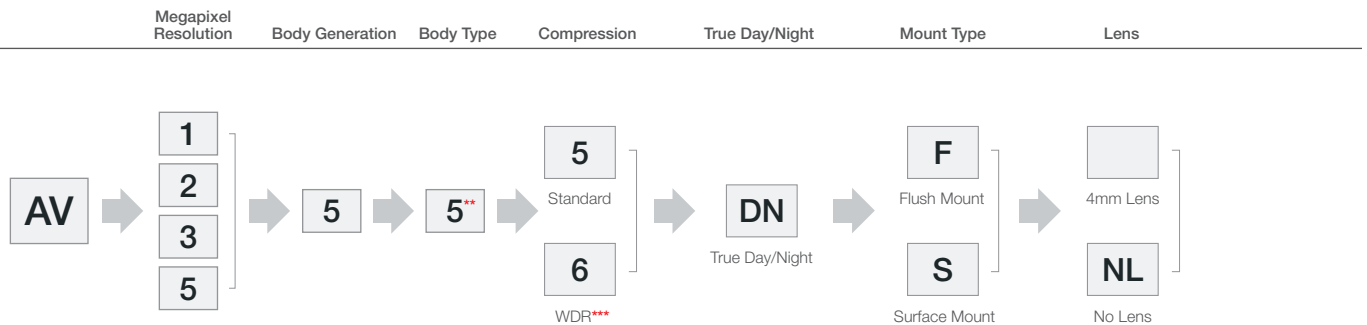
Model	Focal Length	Horizontal Field of View					
		1.2MP	1080p	1080p WDR	3MP	3MP WDR	5MP
MPM2.8A*	2.8mm	95°	83°	83°	89°	89°	113°
MPM4.0A	4mm	67°	59°	59°	63°	63°	80°
MPM6.0	6mm	46°	40°	40°	43°	43°	56°
MPM8.0	8mm	35°	30°	30°	33°	33°	42°
MPM12.0A	12mm	23°	20°	20°	22°	22°	28°
MPM16.0	16mm	17°	15°	15°	16°	16°	20°

* Standard Lens for MicroDome® G2 Except on "-NL" Models

Accessories (-S Models Only)

AV-EBA	Electrical box adapter plate accessory
MCD-CMT	Pendant mount with 3/4" NPT standard
MCD-WMT	Wall mount with 3/4" NPT standard
MCD-4S	Electrical box surface mount cover

Create Your Model (Example: AV2556DN-F-NL)



** "5" represents MicroDome® G2 product line

*** WDR for AV2556 and AV3556 models only